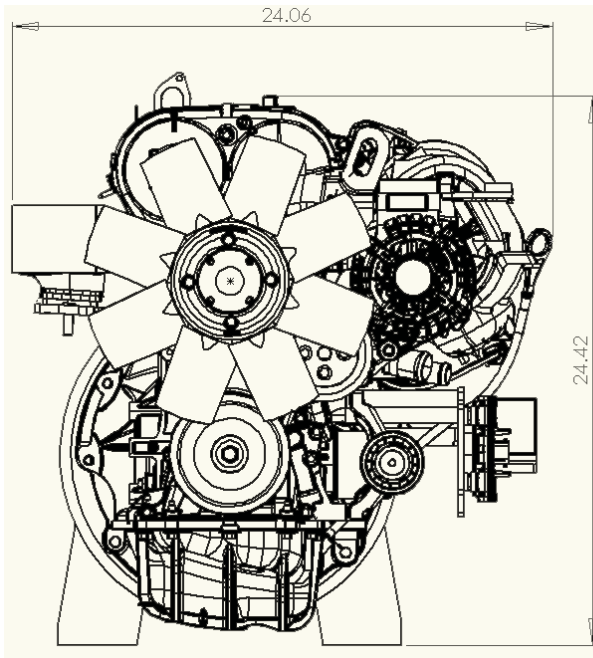
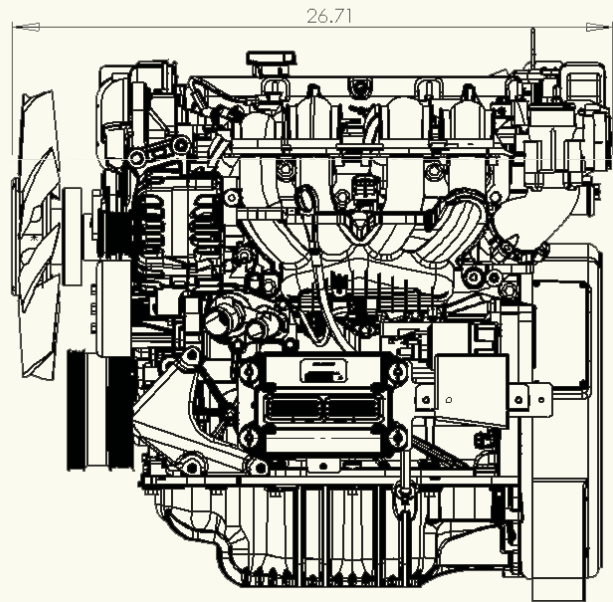


Installation Drawings

Front End View

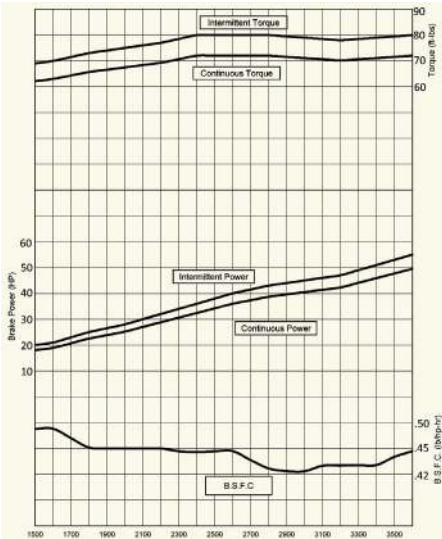


Left Side View



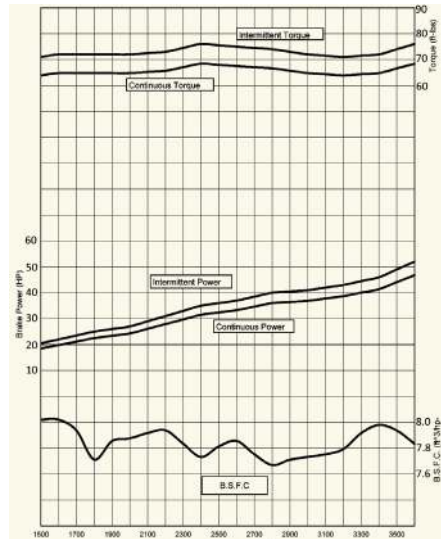
Power Curves (corrected per SAE J1349)

Gasoline



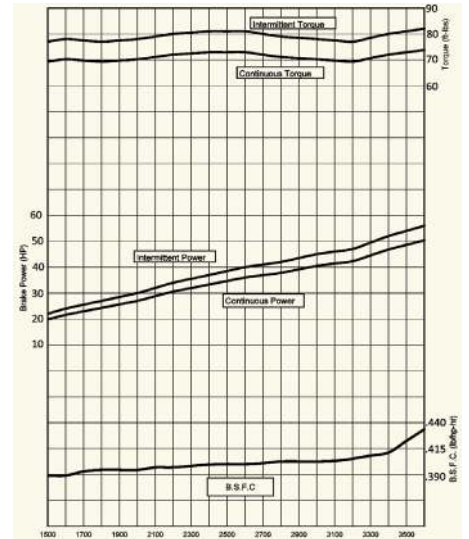
Engine Speed (RPM)

Natural Gas



Engine Speed (RPM)

Liquefied Petroleum Gas



Engine Speed (RPM)



Powertrain Assemblies
& Components
Provided By Ford
Component Sales

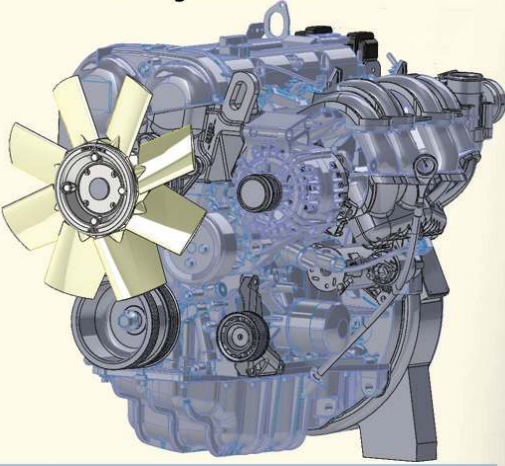
For additional information Contact:



www.ai-engines.com
Omaha 800.747.1438
Kansas City 800.486.5277

TSG-415 EFI

1.5 Liter 4-Cylinder



Options

Engine Cooling Fans

- 13" (330mm) diameter suction
- 13" (330mm) diameter pusher

Flywheels

- 7.5" SAE #5
- Flat face flywheel

Flywheel Housings

- SAE #5

Exhaust Manifold

- Side dump down

Wiring Harnesses

Discrete Speed Switch

Variable Speed Hand Throttle

Variable Speed Foot Pedal

Engine Mounts

- Open power unit

Electronic Instrument Panel, Gauges

Three Way Catalyst / Muffler Standard

Emissions Information

California Air Resources Board (CARB)
Environmental Protection Agency (EPA)
Emission Certified Packages Available.

Warranty

Contact Engine Distributors, Inc
for warranty details.



Powertrain Assemblies
& Components
Provided By Ford
Component Sales

Specifications

Engine Type	I-4
Bore and Stroke	3.11" x 3.01" (79mm x 76.4mm)
Displacement	1.5L Liter (91.5 CID)
Compression Ratio	11:1
Oil Capacity.....	4.25 qts. including filter
Net Weight	196.2 Lbs. (88.9 kgs.)
Dimensions	L 23.8" x W 23.4" x H 26.8" (604 mm x 594 mm x 680 mm)

Gasoline (corrected per SAE J1349)

Unleaded 87 or 89 octane		
Intermittent Power	55 [HP] @ 3600rpm	(41 [kW] @ 3600rpm)
Continuous power	49 [HP] @ 3600rpm	(37 [kW] @ 3600rpm)
Intermittent Torque	80 [ft-lbs] @ 2600rpm	(108 [N-m] @ 2600rpm)
Continuous Torque	72 [ft-lbs] @ 2600rpm	(98 [N-m] @ 2600rpm)

Natural Gas (corrected per SAE J1349)

Fuel Specification	1050 BTU/FT3	
Intermittent Power	52 [HP] @ 3600rpm	(39 [kW] @ 3600rpm)
Continuous power	47 [HP] @ 3600rpm	(35 [kW] @ 3600rpm)
Intermittent Torque	76 [ft-lbs] @ 2400rpm	(103 [N-m] @ 2400rpm)
Continuous Torque	68 [ft-lbs] @ 2400rpm	(93 [N-m] @ 2400rpm)

Liquefied Petroleum Gas (corrected per SAE J1349)

Fuel Specification	HD-5	
Intermittent Power	56 [HP] @ 3600rpm	(42 [kW] @ 3600rpm)
Continuous power	50 [HP] @ 3600rpm	(38 [kW] @ 3600rpm)
Intermittent Torque	81 [ft-lbs] @ 2500rpm	(110 [N-m] @ 2500rpm)
Continuous Torque	73 [ft-lbs] @ 2500rpm	(99 [N-m] @ 2500rpm)

Standard Features / Benefits

Set-for-life valvetrain

Direct Acting Mechanical Bucket (DAMB) valvetrain with polished buckets for reduced friction

Cast aluminum, low-friction coated pistons

Structural front cover and oil pan

Alternate fuel ready valvetrain components

Individual coil electronic ignition

Five bearing cast iron crankshaft and forged connecting rods

Broadband knock sensor, calibrated for individual cylinder use

Gasoline Sequential Port Fuel Injection

Closed loop fuel control for all fuels

Electronic engine management system with built-in engine protection against detonation, high coolant temperature, low oil pressure, over speed shutdown and starter lockout

Next generation governing – discrete speeds, variable speeds, drive by wire – using the highest quality components.