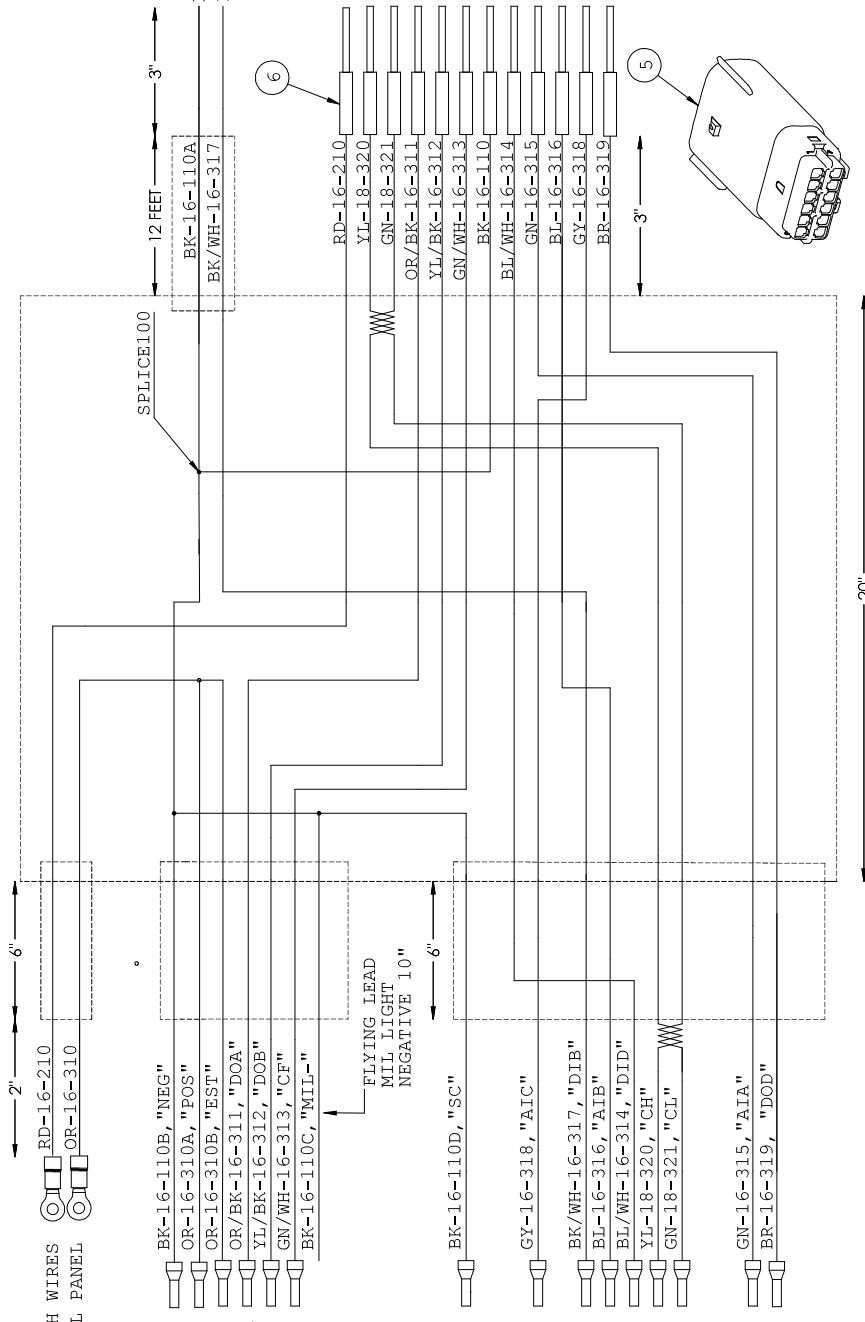


MI-1438-H-CON CONTROL HARNESS SCHEMATIC AND CONSTRUCTION

DISCARD KEYSWITCH WIRES
IN GENSET CONTROL PANEL
WIRING KIT.

ORANGE "EST" WIRE ONLY USE
WITH DSE 6110 AND 7110. COVER
WITH HEAT SHRINK FOR ALL OTHER
DSE PANELS.

ALL BLACK WIRES SPLICED TO
BATT- (GROUND) BY CONNECTOR
C06.07.



REFERENCE ONLY
C06 INTERMEDIATE

01	BATT+
02	CAN H
03	CAN L
04	IGNITION
05	START
06	CHARGE FAIL
07	BATT-
08	COOLANT LEVEL
09	AIA
10	CCV PRESSURE
11	AIR RESIST
12	DOD

MI-1438-H CONNECTS KEA D1803-T AND V2403-T TO A DSE
CONTROL PANEL. MI-1438-H IS COMPOSED OF A CONTROL PANEL
HARNESS (MI-1348-H-CON) AND ENGINE HARNESS (MI-1348-H-ENG).

UNLESS OTHERWISE SPEC.	REVISION	DATE	DESCRIPTION
DO NOT SCALE DRAWING	1	10/25/2018	ISSUED FOR CONSTRUCTION
WIRE LEGEND (SPECIFIC COLOR/HAIRING)	2	04/10/2020	CHANGED C24, A25, C26, E10, F11, CHANGED WIRE LENGTHS.
DATE	3	06/03/2020	UPDATED WIRE LABELS
DATE	4	11/20/2020	UPDATED DSE TERMINAL IDS

REVISION	DATE	DESCRIPTION
1	10/25/2018	ISSUED FOR CONSTRUCTION
2	04/10/2020	CHANGED C24, A25, C26, E10, F11, CHANGED WIRE LENGTHS.
3	06/03/2020	UPDATED WIRE LABELS
4	11/20/2020	UPDATED DSE TERMINAL IDS

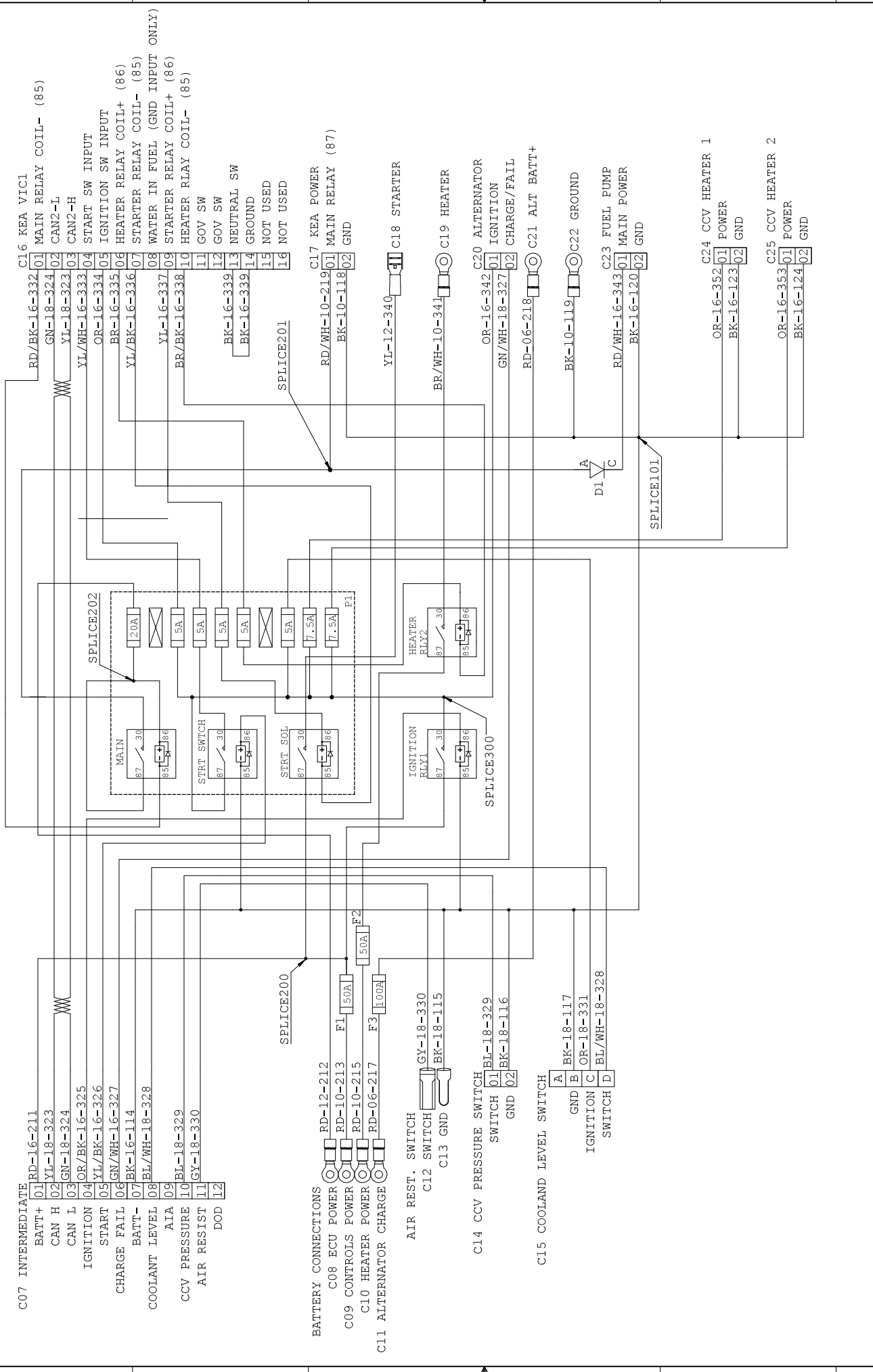
Anderson Industrial Engines

ANDERSON INDUSTRIAL ENGINES

MI-1438-H

ISSUED FOR CONSTRUCTION

MI-1438-H-ENG SCHEMATIC



- C07 INTERMEDIATE BATT+ 01 RD-16-211
- 02 YL-18-323
- CAN H 03 GN-18-324
- CAN L 04 OR/BK-16-325
- IGNITION 05 YL/BK-16-326
- CHARGE FAIL 06 GN/WH-16-327
- BATT- 07 BK-16-114
- COOLANT LEVEL 08 BL/WH-18-328
- AIA 09 BL-18-329
- CCV PRESSURE 10 GY-18-330
- AIR RESIST 11
- DOD 12

- BATTERY CONNECTIONS
- C08 ECU POWER 01 RD-12-212
- 02 RD-10-213
- C09 CONTROLS POWER 01 RD-10-215
- C10 HEATER POWER 01 RD-06-217
- C11 ALTERNATOR CHARGE 01
- 02

- AIR REST. SWITCH C12 SWITCH 01 GY-18-330
- 02 BK-18-115
- C13 GND

- C14 CCV PRESSURE SWITCH 01 BL-18-329
- 02 BK-18-116
- GND 02

- C15 COOLANT LEVEL SWITCH
- A BK-18-117
- B GND
- C OR-18-331
- IGNITION SWITCH D BL/WH-18-328

- C16 KEA VIC1
- RD/BK-16-332 01 MAIN RELAY COIL- (85)
- GN-18-324 02 CAN2-L
- YL-18-323 03 CAN2-H
- YL/WH-16-333 04 START SW INPUT
- OR-16-334 05 IGNITION SW INPUT
- BR-16-335 06 HEATER RELAY COIL+ (86)
- YL/BK-16-336 07 STARTER RELAY COIL- (85)
- YL-16-337 08 WATER IN FUEL (GND INPUT ONLY)
- BR/BK-16-338 09 STARTER RELAY COIL+ (86)
- HEATER RELAY COIL- (85)
- 11 GOV SW
- 12 GOV SW
- BK-16-339 13 NEUTRAL SW
- BK-16-339 14 GROUND
- 15 NOT USED
- 16 NOT USED

- SPLICE201
- RD/WH-10-219 01 C17 KEA POWER
- BK-10-118 02 GND
- YL-12-340 C18 STARTER
- BR/WH-10-341 C19 HEATER

- OR-16-342 01 C20 ALTERNATOR
- GN/WH-18-327 02 CHARGE/FAIL
- RD-06-218 C21 ALT BATT+
- BK-10-119 C22 GROUND
- RD/WH-16-343 01 C23 FUEL PUMP
- BK-16-120 02 MAIN POWER
- GND 02

- C24 CCV HEATER 1
- OR-16-352 01 POWER
- BK-16-123 02 GND
- C25 CCV HEATER 2
- OR-16-353 01 POWER
- BK-16-124 02 GND

UNLESS OTHERWISE SPECIFIED:
 DIMENSIONS ARE IN INCHES
 DO NOT SCALE DRAWING
 WIRE LEGEND:
 (SPECIFY COLOR/AWG)
 MATERIAL:
 FINISH:
 REVISIONS:
 03 SERIES HARNESS TO DSE PANEL

Anderson Industrial Engines
ANDERSON INDUSTRIAL ENGINES
 MI-1438-H
 SHEET 1 OF 1

DSE TERMINAL CROSS REFERENCE, SPECIFICATIONS AND REVISION NOTES

AIE STANDARD FUNCTION	DSE CROSS REFERENCE					NOTE
	INPUT/OUTPUT	3110	4410	4510	6110	
NEG		01	02	01	01	GROUND
BATT-						POSITIVE
BATT+						E-STOP/FUEL-START PWR
E-STOP/FUEL-START PWR						CHARGE FAIL/EKTCIE
CHARGE FAIL						FUEL RELAY
ECU (ECM) POWER						
START RELAY						
DOA						
DOB						
DOC						
DOE						
DOF						
DOG						
DOH						
DOI						
DOJ						
SC						SENSOR RETURN (GROUND)
ANA						
ANB						
ANC						CCV SW C I ONLY
AID						
AIE						
AIF						
DIA						
DIB						
DIC						
DID						
DIE						
DIF						
DIG						
DIH						
CH						CAN HIGH
CL						CAN LOW
CS						CAN SHIELD
MP+						MAGNETIC PICKUP +
MP-						MAGNETIC PICKUP -
MPS						MAGNETIC PICKUP SHIELD
U						GENERATOR PHASE 1
V						GENERATOR PHASE 2
W						GENERATOR PHASE 3
NG						GENERATOR NEUTRAL
R						MAINS PHASE 1
S						MAINS PHASE 2
T						MAINS PHASE 3
MM						MAINS NEUTRAL
CT (L1)						CURRENT XFMR PHASE 1
L1						CURRENT XFMR PHASE 2
L2						CURRENT XFMR PHASE 3
L3						CURRENT XFMR COMMON
CT (L3)						
CT						

INSTALLATION NOTES

E-STOP/FUEL-START PWR "EST" TERMINAL ONLY REQUIRED ON DSE 6110 AND 7310 PANELS. COVER "EST" TERMINAL WITH HEAT SHRINK TUBING WHEN NOT REQUIRED.

NO.	SPECIFICATIONS
1	WIRE: SAE-J1128-SXL OR SAE-J1128-TXL EXCEPT FOR TWISTED PAIR
2	TWISTED PAIR: SAE J1939/152 CONDUCTOR 18 AWG UNSHIELDED CABLE
3	WIRES WITH FERRULES TO BE LABELED AS INDICATED
4	ITEM 5 INCLUDED BUT NOT POPULATED WITH PINS
5	PROTECTIVE BRAIDED SLEEVE - 10 MIL POLYETHYLENE TEREPHTHALATE (PET)
6	HEAT SHIELD: DELFINGEN NU-KOOL T-G (OR EQUIVALENT)
7	HEAT SHRINK TUBING: 2:1 SHRINKAGE RATIO, MATERIAL: POLYOLEFIN (PO) IRRADIATED, ADHESIVE LINED, FLAME RETARDANT, RATED FOR 600V ELECTRICAL INSULATION, OPERATING TEMPERATURE TO MEET OR EXCEED -40 TO 130 DEG. C. COLOR: BLACK
8	SPLICE LOCATIONS AT MANUFACTURERS DISCRETION
9	LABEL HARNESS "MI-1438-H-CON" (PAGE 3,4) AND INCLUDE REVISION LETTER AND DATE OF MFG
10	LABEL HARNESS "MI-1438-H-CON" (PAGE 1) AND INCLUDE REVISION LETTER AND DATE OF MFG

REV DESCRIPTION	DATE	CHANGED BY
A INITIAL RELEASE	12/18/2018	ETR
B UPDATE		ETR
C ADDED MIL LIGHT	5/17/2019	ETR
D ADDED THERMAL PROTECTION	8/23/2019	ETR
E CHANGED HEAT RESISTANT SLEEVING TO DELFINGEN NU-KOOL T-G	10/22/2019	ETR
FL UPDATED SPECIFICATION LIST	4/9/2020	ETR
F1 REMOVED C24 RING TERMINAL	4/9/2020	ETR
F2 REMOVED BK-16-172	4/9/2020	ETR
F3 CHANGED FROM SHIELDED TO UNSHIELDED TWISTED PAIR WIRE	4/9/2020	ETR
F4 ADDED RELAY PART NUMBERS	4/9/2020	ETR
F5 ADDED CONNECTORS C24 AND C25	4/9/2020	ETR
F6 REMOVED DSE PANEL GRAPHIC AND ADDED DSE WIRING TABLE	4/9/2020	ETR
F7 CHANGED LENGTH OF MI-1438-H-CON WIRES	4/9/2020	ETR
F8 ADDED (2) FUSES FOR NEW CONNECTORS C24 AND C25	4/9/2020	ETR
F9 CHANGED WIRE LABELS	4/9/2020	ETR
G1 CHANGED WIRE LABELS	6/3/2020	ETR
H1 CHANGED WIRE LABELS	11/16/2020	ETR
H2 CHANGED WIRE OR-16-310 TO OR-16-310A AND OR-16-310B	11/16/2020	ETR
H3 UPDATED DSE TERMINAL IDENTIFICATION TABLE	11/16/2020	ETR
H4 ADDED PAGE 6 (DSE TERMINAL ID TABLE, SPECIFICATIONS AND REV. HISTORY)	11/16/2020	ETR

UNLESS OTHERWISE SPECIFIED:	REVISION:	ETR
DIMENSIONS ARE IN INCHES	DATE:	10/25/2018
WIRE LEGEND:	DO NOT SCALE DRAWING	
(SPECIFY COLOR/HWG)	NOTIFY AIE OF ANY CHANGES	
MATERIAL:	DATE OF REVISION:	
TERMINAL:	REVISION:	



MI-1438-H

REV. DESCRIPTION: 03 SERIES HARNESS TO DSE PANEL

DATE: 10/25/2018

BY: ETR

APP: MI-1438-H

SCALE: 1:1

SHEET NO: 2

TOTAL SHEETS: 2

PROJECT: MI-1438-H

DATE: 10/25/2018

BY: ETR

APP: MI-1438-H

SCALE: 1:1

SHEET NO: 2

TOTAL SHEETS: 2

PROJECT: MI-1438-H