

# AIE

WE PROVIDE THE POWER

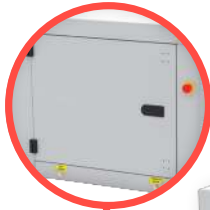


# SQ10000

**DESIGNED | TESTED | BUILT**

BY ANDERSON INDUSTRIAL ENGINES

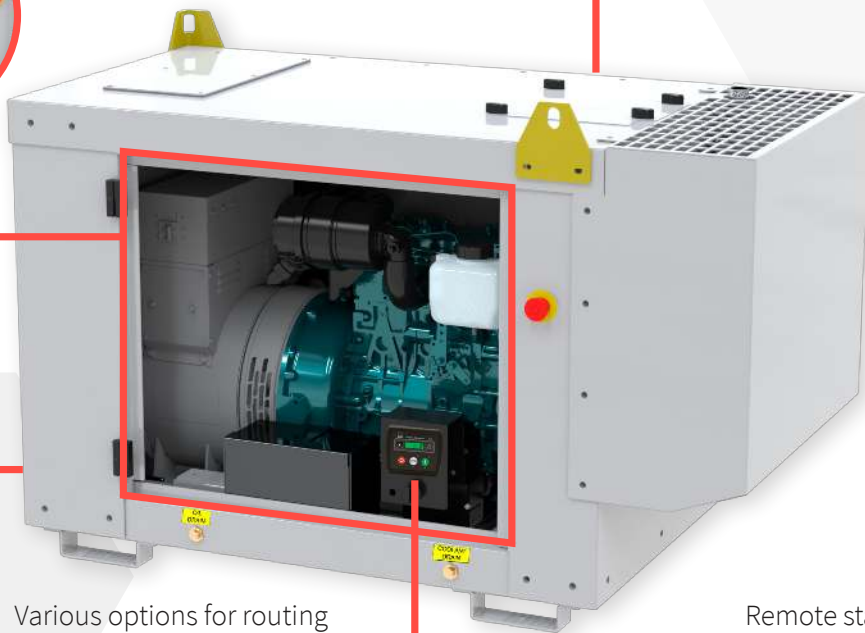
# QUIET, COMPACT, & CAPABLE



Locking cabinet door. Available in single or 3 phase configurations.



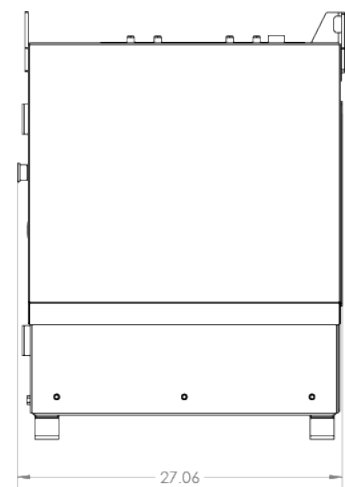
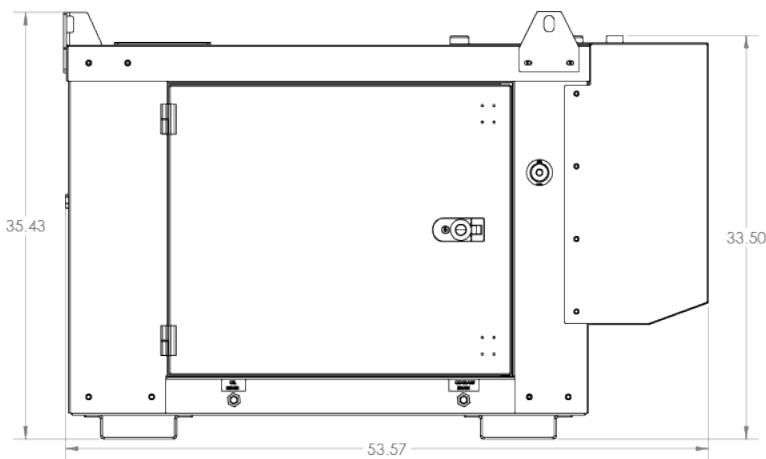
Sound attenuated enclosure



Various options for routing fuel and high-voltage lines in/out of the genset

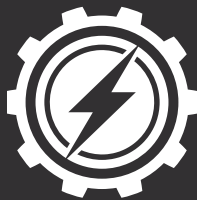


Remote start/  
auto start capable with **DeepSea** controller





# SQ-SERIES



**WWW.AI-ENGINES.COM**

**INFO@AI-ENGINES.COM**

---

## **OMAHA, NE**

13423 Lynam Dr.  
Omaha, NE 68138  
(402) 558-8700  
(800) 747-1438

## **KANSAS CITY, KS**

80 South James St.  
Kansas City, KS 66118  
(913) 321-7040  
(800) 486-5277

## **MODESTO, CA**

4701 Enterprise Way  
Modesto, CA 95356  
(209) 900-5630  
(888) 582-6828