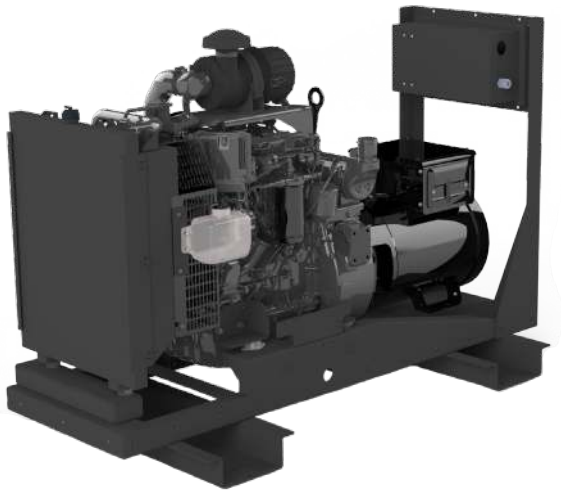




**G-50**  
TIER IV FINAL GEN SET



**DESIGNED | TESTED | BUILT**  
AT ANDERSON INDUSTRIAL ENGINES



# G-50

## 50kW GENSET

### ENGINE OPTIONS

WG3800-L (45kW) LPG  
WG3800-N (42kW) NG

### PROVIDING POWER

For over 50 years, AIE has built the highest quality products for industrial applications. From bare engines to complete turn-key solutions, these easy to use, simple to integrate packages are quickly becoming the workhorse for numerous OEM applications of any scale.

### G-50 OPTIONS

#### GENERATOR OPTIONS (AC AND DC)

Mecc-Alte  
Marathon  
Linz  
Lima Mac

#### AIR CLEANER

Air cleaner is available with or without rain cap or pre-cleaner

#### CONTROLS

Deep Sea Electronics 6110  
Deep Sea Electronics 7310  
Control Box Mounting Brackets (for Open Units)

#### POWER CONFIGURATIONS

Single phase 120/240 AC  
Three phase 120/208 AC  
Three phase 277/480 AC  
24V/48V DC

#### SHEET METAL ENCLOSURE BATTERY MOUNT KIT

### KEY FEATURES

- Flexible fuel options
- Low vibration and smooth running
- Quiet and clean running engines
- Multiple control panel options
- Mains breaker included
- Monitoring of Voltage, Frequency, and Current
- Optional Sheet Metal Enclosure
- Fuel efficient operation with electronic fuel systems
- Safety shutdown for temperatures, pressure, and emergency stop
- Remote start available

Powered By Kubota

# AIE TIER IV FINAL GENSETS

Designed, tested, and built at Anderson Industrial Engines, these open or enclosed units have the potential to completely evolve your product. Crafted with the customer in mind, and featuring multiple engine and generator combinations, these sets are capable of adapting to endless applications.



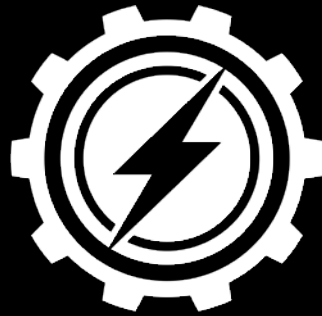
INFORMATION	UNIT	DIESEL		LPG		NATURAL GAS	
Frequency	(Hz)	60					
Phase / Wire	A	1 / 4	3 / 12	1 / 4	3 / 12	1 / 4	3 / 12
Rated Voltage	V	120/240	277/480	120/240	277/480	120/240	277/480
Standby	kW	50.0		45.3		42.0	
Standby	kVA	50.0	62.4	45.3	56.6	42.0	52.5
Prime	kW	45.0		38.5		35.7	
Prime	kVA	45.0	56.3	38.5	48.2	35.7	44.7
Power Factor		1	0.8	1	0.8	1	0.8
Anticipated Efficiency	%	90%					

AMPS	UNIT	DIESEL		LPG		NATURAL GAS	
Maximum	A	208.1	75.1	188.6	68.1	175.1	63.2
Continuous	A	187.5	67.7	160.5	57.9	148.9	53.7
Breaker	A	225	90	200	70	200	70

ENGINE	UNIT	LPG	NATURAL GAS
Manufacturer / Model		Kubota / WG3800-LN	
Engine Speed	RPM	1800	
Emission Standard		EPA Tier 2, CARB Tier 3	
Aftertreatment Device		Catalytic Converter	
Number of Cylinders		4	
Displacement	L	3.769	
Oil Capacity	Qts	12.9	

GENERATOR	UNIT	DIESEL		LPG / NATURAL GAS			
Manufacturer / Model		Meccalte ECP32 2L4 C	Meccalte ECP32 1L4 C	Meccalte ECP32 1L4 C	Meccalte ECP32 2M4 C	Meccalte ECP32 1L4 C	Meccalte ECP32 2M4 C
Voltage Regulation	Type / %	AVR +/- 1%		AVR +/- 1%			
Insulation Class		H		H			

SET	UNIT	DIESEL	LPG	NATURAL GAS
Fuel Consumption	100% Load	4.18 gal/hr	26.64 lb/hr	23.80 lb/hr
	75% Load	3.13 gal/hr	19.98 lb/hr	17.85 lb/hr
	50% Load	2.09 gal/hr	13.32 lb/hr	11.90 lb/hr
	25% Load	1.04 gal/hr	6.66 lb/hr	5.95 lb/hr
Dimensions L x W x H (Open)	in	74 x 38 x 49.8	74 x 38 x 49.3	
Dimensions L x W x H (Enclosed)	in	74.3 x 38.5 x 57.9	74.3 x 38.5 x 60.9	
Dry Weight (Enclosed, estimates)	lb	2375	2290	
Net Weight (Enclosed, estimates)	lb	2425	2350	



**AIE**

WE PROVIDE THE POWER

[WWW.AI-ENGINES.COM](http://WWW.AI-ENGINES.COM)

**OMAHA, NE**

13423 Lynam Dr.  
Omaha, NE 68138  
(402) 558-8700  
(800) 747-1438

**KANSAS CITY, KS**

80 South James St.  
Kansas City, KS 66118  
(913) 321-7040  
(800) 486-5277

**MODESTO, CA**

4701 Enterprise Way  
Modesto, CA 95356  
(209) 900-5630  
(888) 582-6828